

# Frontliner

## Fx6

Our Frontliner Fx-series is what sets us apart. It is the highest performing combined cutting and spreading tool on the market. Largely due to the advantages of the UltimatePressure, 80% of the times the Fx6 has enough spreading performance so that you do not have to change to a dedicated spreader. The Fx-series are designed to provide high spreading as well as high cutting performance. The spreading opening is maximized at the optimum working angle. Easily detach the jaws and you have a dedicated cutter. With the same capacity as our G-series cutters you do not have to worry about having enough cutting capacity. The Frontliner FX-series is the rescuers' choice when time is critical.

### Features:

- UltimatePressure
- EWOTECHNOLOGY
- CCC capacity (Complex Car Constructions)
- Detachable jaws

### Facts:

- Best average power to weight ratio (Spreading and Cutting)
- Most powerful heavy-duty combination tool
- Highest safety factors on critical parts



**PRESSURE™  
ULTIMATE**

Fx6 Frontliner: combining the best of both in one tool

**Advanced blade design:** gives you control over the cutting action from round bar to complex car constructions

**Detachable jaws:** to easily make it into a full capacity dedicated cutter

**Real protective covering:** for all dangerous turning parts

**Quick connectors:** easy and fast to connect. Automatic locking and flat-face design prevent sand and dirt from getting in the couplers. A rescuers' favorite

**Duo control:** handle for both thumb and/or twist control in one. Ergonomically designed for best control in every position. No risk to the user as no hydraulics go through the handle.

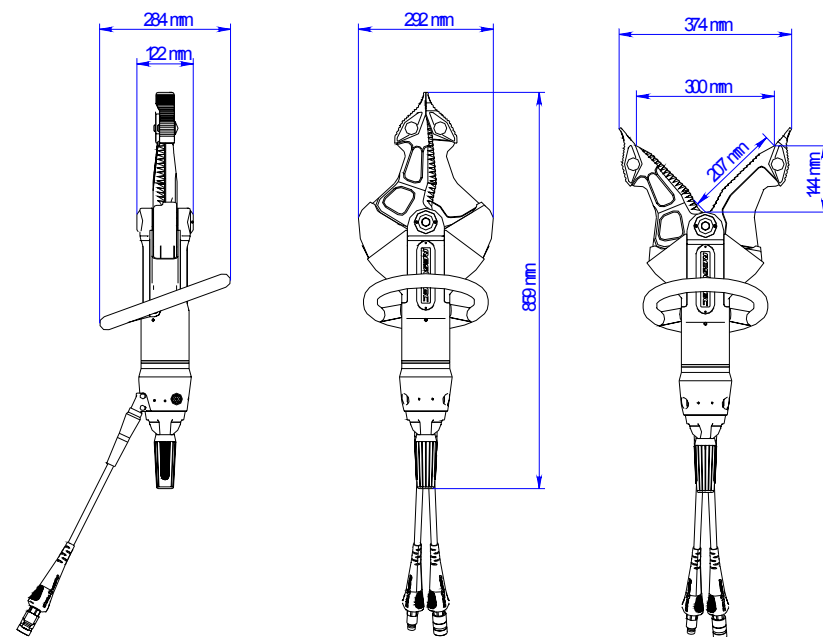
**Fixed 360° handle:** enables the user to have balance in every position and change positions quickly

**360° turning tail-hoses:** so they never interfere with operation and don't take up space when stored. Withstand 8x the working pressure, making them the safest available

**Flat bolt design:** lowers the insertion height of the tool, enabling you to reach confined spaces

FRONTLINER Fx-series

Technical specifications Fx6	
Model	Fx6 Frontliner
Nominal pressure	350 Bar / UltimatePressure™
Dimensions (LxWxH)	859 x 292 x 284 mm
Operational weight	19.3 kg
Max. cutting opening	300 mm
Reach	144 mm
Max. cutting force	1251 kN / 127.5 ton / 140.6 US tons
Max.spreading opening	374 mm
Max.spreading force	176.3 kN / 18 ton / 19.8 US tons
Spreading force 25 mm from tips	39.5 kN upto 81.6 kN / 4 ton upto 8.3 ton
Max.pulling opening	n/a
Max.pulling force	n/a
EN 13204	CK40/374-H-19
NFPA 1936	Compliant



For questions or additional information please e-mail to [info@resqtec.pl](mailto:info@resqtec.pl) / [info@ratownictwo.com.pl](mailto:info@ratownictwo.com.pl)

DS007K00

**RESQTEC®**

RESQTEC® is a registered trademark

© RESQTEC® 2007  
Technical modifications reserved

P.T.H."COMPART" - Z.Dziembowski, Centrum Sprzetu Ratowniczego  
PL 44-121 Gliwice , ul. Gen.J.Sowinskiego 5 (IMN)  
Tel./ Fax +48 (0) 32 - 2 380 680 , 2 380 436 , e-mail : [info@resqtec.pl](mailto:info@resqtec.pl)  
[www.resqtec.pl](http://www.resqtec.pl) / [www.ratownictwo.com.pl](http://www.ratownictwo.com.pl) / [www.998.info.pl](http://www.998.info.pl)