

# CUTTER G4

The G4 is in our opinion the best choice for most rescue squats. Although less power than the G6, it has enough capacity to cut everything you normally come across. In most cases you do not need the massive power the G6 produces. The G4 is lighter and therefore extremely easy to handle. The Cutter G-series is all about performance – setting the best lap-time and finishing first. They provide effective power, which means that they are able to translate power to a controlled and effective cut, regardless of the structure. The G4 has a wide range of cutting capabilities, from cutting round bars to the toughest of car constructions. Designed with EWOtechnology you have high performance without the least amount of weight influence.

#### Features:

- UltimatePressure
- EWOtechnology
- CCCcapacity (Complex Car Constructions)

#### Facts:

- Best power to weight ratio
- Lightest in its class
- Most powerful medium-duty cutter
- Highest safety factors on critical parts



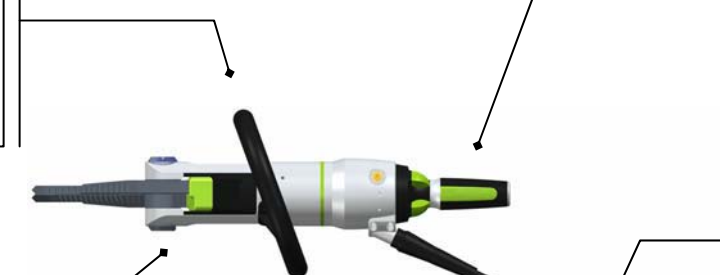
**PRESSURE™  
ULTIMATE**

**Advanced blade design:** gives you control over the cutting action from round bar to complex car constructions

**Real protective covering:** for all dangerous turning parts

**Fixed 360° handle:** enables the user to have balance in every position and change positions quickly

**Flat bolt design:** lowers the insertion height of the tool, enabling you to reach confined spaces



Capacity tested for ComplexCarConstructions

**Quick connectors:** easy and fast to connect. Automatic locking and flat-face design prevent sand and dirt from getting in the couplers. A rescuers' favorite

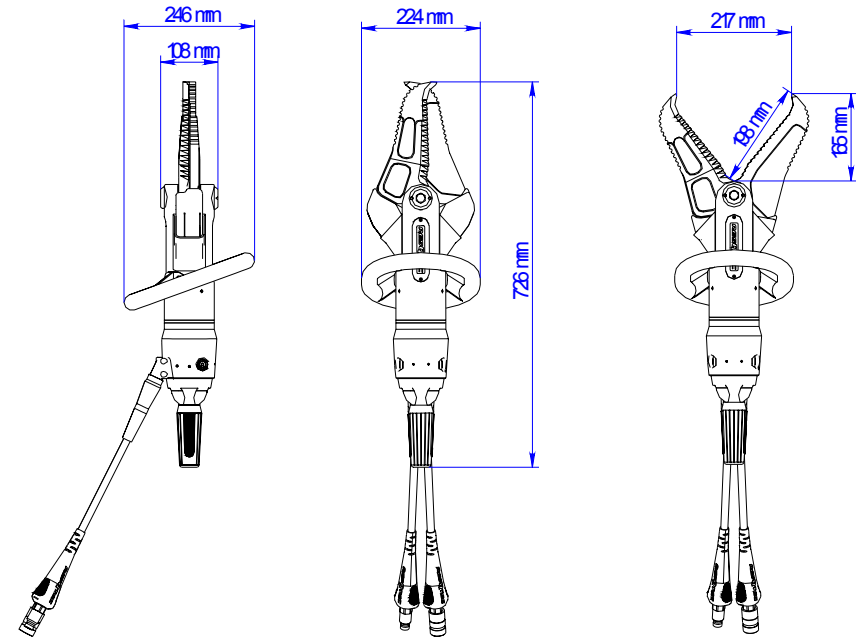
**Duo control:** handle for both thumb and/or twist control in one. Ergonomically designed for best control in every position. No risk to the user as no hydraulics go through the handle.

**360° turning tail-hoses:** so they never interfere with operation and don't take up space when stored. Withstand 8x the working pressure, making them the safest available

CUTTER G-series

## Technical specifications G4

Model	G4 cutter
Nominal pressure	UltimatePSI™ / 5000 PSI / 350 Bar
Dimensions (LxWxH)	28 9/16" x 8 13/16" x 9 11/16" // 726 x 224 x 246 mm
Operational weight	28.1 lb / 12.8 kg
Max. cutting opening	8 9/16" / 217 mm
Max. cutting force	109,669 lbs / 54.8 US tons / 488 kN / 49.7 ton
EN 13204	Compliant
NFPA 1936	Compliant



For questions or additional information please e-mail to [info@resqtec.pl](mailto:info@resqtec.pl) / [info@ratownictwo.com.pl](mailto:info@ratownictwo.com.pl)

DS002K00

**RESQTEC**®

RESQTEC® is a registered trademark

© RESQTEC® 2007  
Technical modifications reserved

P.T.H."COMPART" - Z.Dziembowski, Centrum Sprzetu Ratowniczego  
PL 44-121 Gliwice , ul. Gen.J.Sowinskiego 5 (IMN)  
Tel./ Fax +48 (0) 32 - 2 380 680 , 2 380 436 , e-mail : [info@resqtec.pl](mailto:info@resqtec.pl)  
[www.resqtec.pl](http://www.resqtec.pl) / [www.ratownictwo.com.pl](http://www.ratownictwo.com.pl) / [www.998.info.pl](http://www.998.info.pl)