

NT4

Rescue teams all over the world are replacing their lifting equipment with the NTbags, as their unmatched performance, rapid and easy deployment make them capable to handle normal incidents fast but more importantly beat an situation that may otherwise escalate to a disaster. Beat the unexpected by changing the way you, and your department look at lifting and confined space rescue.

NT-series have become the standard in lifting and creating space between structures, as they provide the answer to the limitations and drawbacks of conventional high and low pressure bags you face with your current lifting tools. High performance but easy to deploy you will use them every change you get

Unparalleled performance: a lifting capacity that is over 600% more than your current bags at full height

True connect ability: to reach almost any desired height

Rapid and easy deployment: with total control

True versatility: tremendous lifting height, stability and the ability to lift pointed loads

Maximum safety: highest safety factor and the ability to be repaired after a puncture

Multi purpose: the best features of both traditional low and high-pressure bags in one system

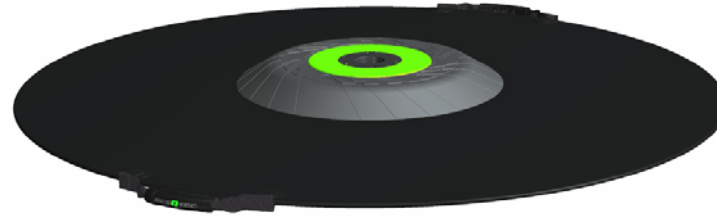
Low operation costs: do the same with half the amount of bags

Professional training: professional training cd-rom to help you to utilize them best

NT: The new standard for pneumatic lifting heavy structures

Point loading: point load plate can be used for lifting pointed objects

Grip handles: to easily carry and position the bag



Round form: no stress points, so less risk

Connectable: Stable and extreme lifting height



Super strong aramid fibers: 7x stronger than steel fibers

Hard cover: lift directly from Lift from most surfaces

Facts NT4:

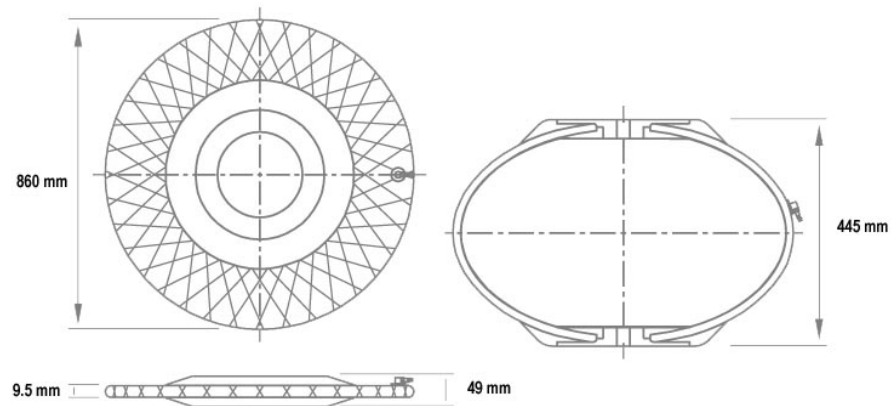
58 tons lifting capacity
Easily lift up to 2286 mm height
Lift directly on pointed surfaces
Minimum insertion height
Connectable for stable lifting
Low weight
> 4:1 safety

All needed variants: 23, 58, and 132 tons

NTBag-series

Technical Specifications NT4

Model	NT4
Max. Lifting Capacity	128,000 lbs / 64 US ton / 58 ton
Weight	33.1 lb / 16 kg
Lifting Height	n x 17 1/2" / 445 mm (n= Number of stacked bags)
Min. height centre (b)	1 15/16" / 50 mm
Min. height edge (a)	3/8" / 10 mm
Min. Diameter inflated	26 3/16" / 665 mm
Max. Diameter deflated	33 7/8" / 860 mm
Working Pressure	145 PSI / 10 Bar
Safety Factor	>4
Water Volume	26.2 gal / 99 ltr
Max. Air Volume	287.7 gal, 145 psi / 1,089 ltr at 10 Bar
RWTÜV 44	Compliant



NT bag will be delivered with an easy storage case to enhance lifespan and optimal storage

For questions or additional information please e-mail to info@resqtec.pl / info@ratownictwo.com.pl

RESQTEC®

RESQTEC® is a registered trademark

© RESQTEC® 2007
Technical modifications reserved

P.T.H."COMPART" - Z.Dziembowski, Centrum Sprzetu Ratowniczego
PL 44-121 Gliwice , ul. Gen.J.Sowinskiego 5 (IMN)
Tel./ Fax +48 (0) 32 - 2 380 680 , 2 380 436 , e-mail : info@resqtec.pl
www.resqtec.pl / www.ratownictwo.com.pl / www.998.info.pl

DOCNUMBER