

Mini Pumps

There is a lot to tell about a power unit, but you probably just want to know if it always works and delivers the necessary power to the tool. The answer is yes, so no worries. The Maxi / Mini -series are equipped with high flow pumps to give speed and performance. They do not lose speed when using two tools simultaneously, and even the Mini-series has enough hydraulic fluid storage that is big enough to operate a full set of hydraulic tools. Lightweight, they have excellent cooling capacity. The Maxi / Mini -series are available to connect or operate one, two, three or even four tools at the same time.

Features:

- UltimatePressure: able to provide any working pressure

Mini-series can be supplied with Honda or Electric motor for:

- 1x1 / STO = 1 outlets, 1 single use
- 2x1 / ATO = 2 outlets, 1 single use

**PRESSURE™
ULTIMATE**

Mini pump unit: compact, lightweight, they give your tools speed and performance

Space frame: light and compact for easy handling and full protection



Honda motor: reliable and durable

Unique pump: system generates enough flow enabling our tools to open and close fast

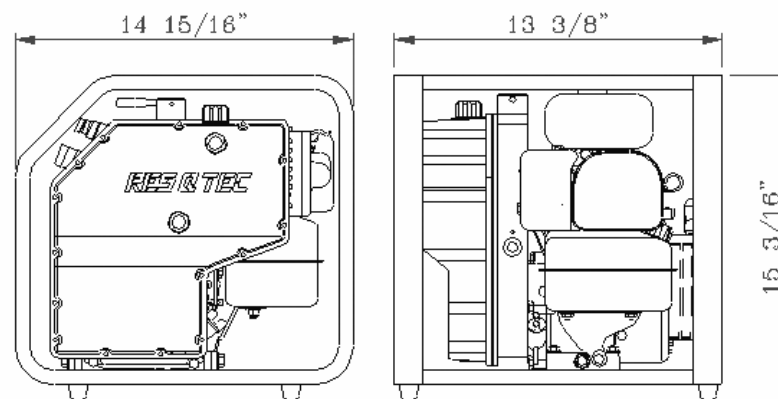
Big reservoir: to operate a full set of hydraulic tools

PUMP Mini-series

Technical specifications Pump Mini-series

Model	Honda STO	220V STO
Dimensions (LxWxH)	356 x 330 x 381 mm	356 x 330 x 381 mm
Pump	2-stage radial piston	2-stage radial piston
Oil capacity	2,2 L	2,2 L
First stage; flow (1- 120 bar)	3.6 l/min	3.6 l/min
Second stage; flow (120 - 350 bar)	1.2 l/min	1.2 l/min
Nom. Pressure	UltimatePSI / 5000 PSI	UltimatePSI / 5000 PSI
Engine / Power supply	Honda GXH50 / 2,5 hp	Electric motor 1-phase, 230V, 1.1 kW
Running time	240 min	N/a
Rev. per min.	3,250	2,880
Oil level indicator	Yes	Yes
Weight	14,8 kg*	25 kg*

* Depending on choice of couplings weights differ for mentioned. Mentioned weights are of most widely used version.



DOCUMENT

RESQTEC®

RESQTEC® is a registered trademark

© RESQTEC® 2007
Technical modifications reserved

P.T.H."COMPART" - Z.Dziembowski, Centrum Sprzetu Ratowniczego
PL 44-121 Gliwice , ul. Gen.J.Sowinskiego 5 (IMN)
Tel./ Fax +48 (0) 32 - 2 380 680 , 2 380 436 , e-mail : info@resqtec.pl
www.resqtec.pl / www.ratownictwo.com.pl / www.998.info.pl