

RAM

V6

Being the company that developed the rescue ram we know something about them. A ram stands in service of the spreader and cutters, for when you need to create more room and have the same spreading capacity over a long area. The advantage of the V6 is that it's very versatile. In its most compact stage it is very small, where it can be enlarged within 3 seconds to fit a larger opening. The modular system of the V-series you do not need a large group of dedicated rams.

Due to EWOTECHNOLOGY the rams are extremely easy to carry and position. They achieve a firm grip in a structure - the ram V-series are ready when you need them

Features:

- Ultimate Pressure
- EWOTECHNOLOGY

Facts:

- Most versatile ram
- Highest safety factors on critical parts



PRESSURE™
ULTIMATE

V6 Ram: versatile, compact and long stroke



Quick connectors: easy and fast to connect. Automatic locking and flat-face design prevent sand and dirt from getting in the couplers. A rescuers' favorite

Angled grip handle: designed with EWOTECHNOLOGY the ram is very easy to position and carry



Duo control: handle for both thumb and/or twist control in one. Ergonomically designed for best control in every position. No risk to the user as no hydraulics go through the handle.

Extension: can easily be connected with a fast connect system

Grip Jaws: center the load in the middle of the jaw creating optimum grip and controlled spreading action

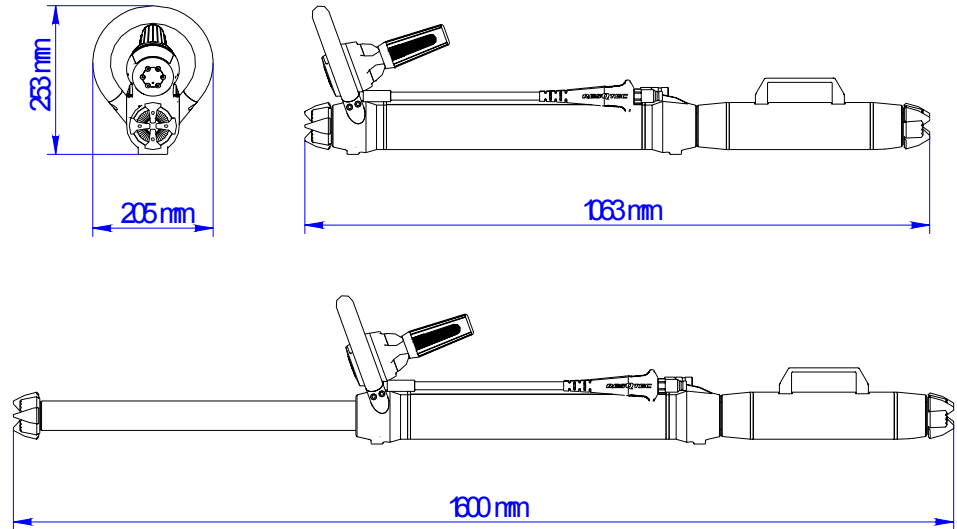


360° turning tail-hoses: so they never interfere with operation and don't take up space when stored. Withstand 8x the working pressure, making them the safest available

RAM V-series

Technical specifications V6

Model	V6 ram
Nominal pressure	UltimatePSI™ / 5000 PSI / 350 Bar
Dimensions (LxWxH)	41 7/8" x 8 1/16" x 9 15/16" // 1063 x 205 x 253 mm
Operational weight	43.1 lb / 19.6 kg
Extended length	63" / 1600 mm
Max. stroke	21 1/8" / 537 mm
Max. spreading force	25,353 lbs / 12.7 US tones / 112 kN / 11.5 ton
EN 13204	Compliant
NFPA 1936	Compliant



For questions or additional information please e-mail to info@resqtec.pl / info@ratownictwo.com.pl

DS011K00

RESQTEC®

RESQTEC® is a registered trademark

© RESQTEC® 2007
Technical modifications reserved

P.T.H."COMPART" - Z.Dziembowski, Centrum Sprzetu Ratowniczego
PL 44-121 Gliwice , ul. Gen.J.Sowinskiego 5 (IMN)
Tel./ Fax +48 (0) 32 - 2 380 680 , 2 380 436 , e-mail : info@resqtec.pl
www.resqtec.pl / www.ratownictwo.com.pl / www.998.info.pl